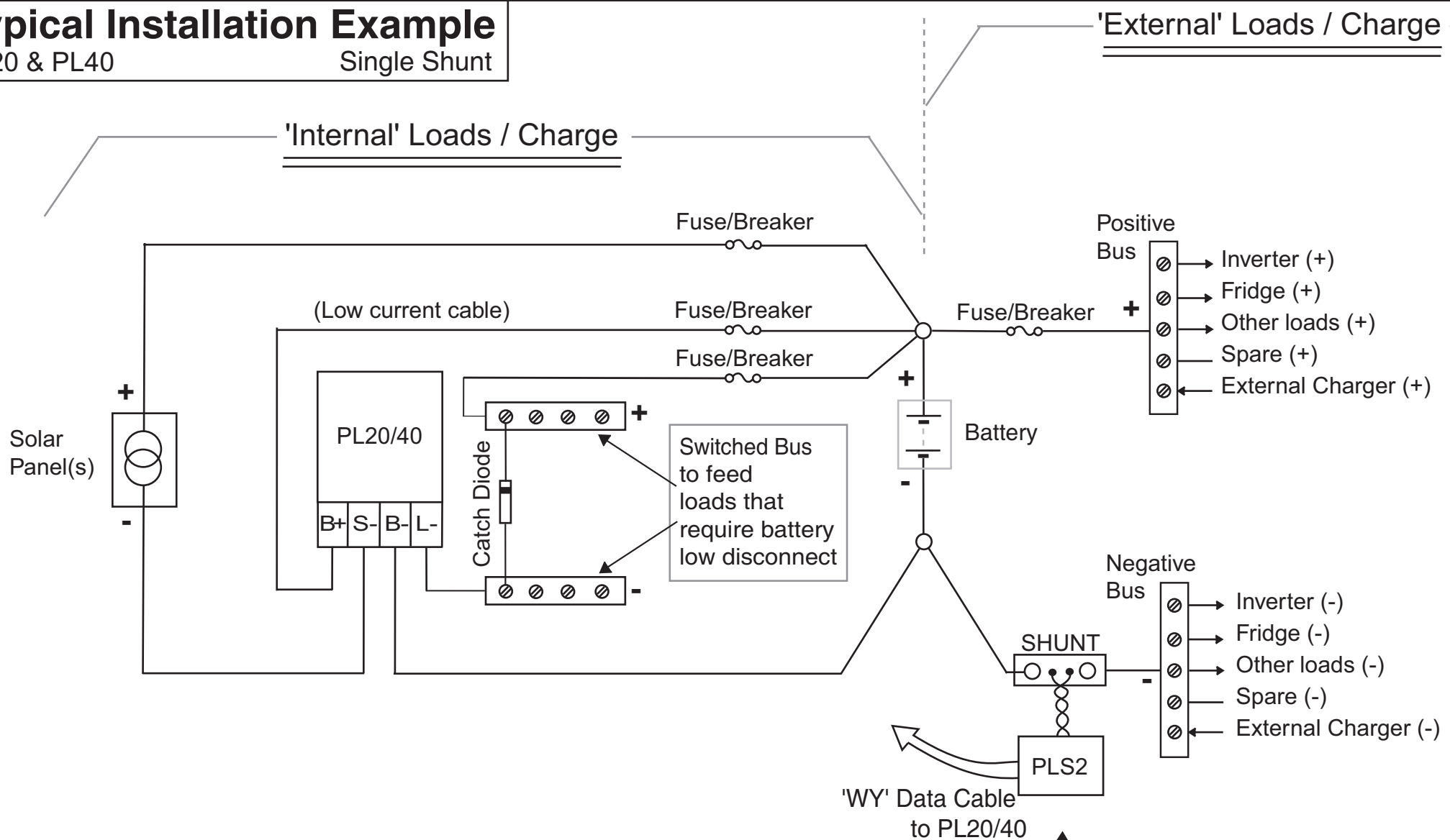


Typical Installation Example

PL20 & PL40

Single Shunt



'Internal' Loads / Charge

'External' Loads / Charge

This diagram is for reference only. Wiring and fuses etc. must be installed as specified by the relevant Australian Standards.

NOTE: Shunt reads 'balance' of load/charge currents