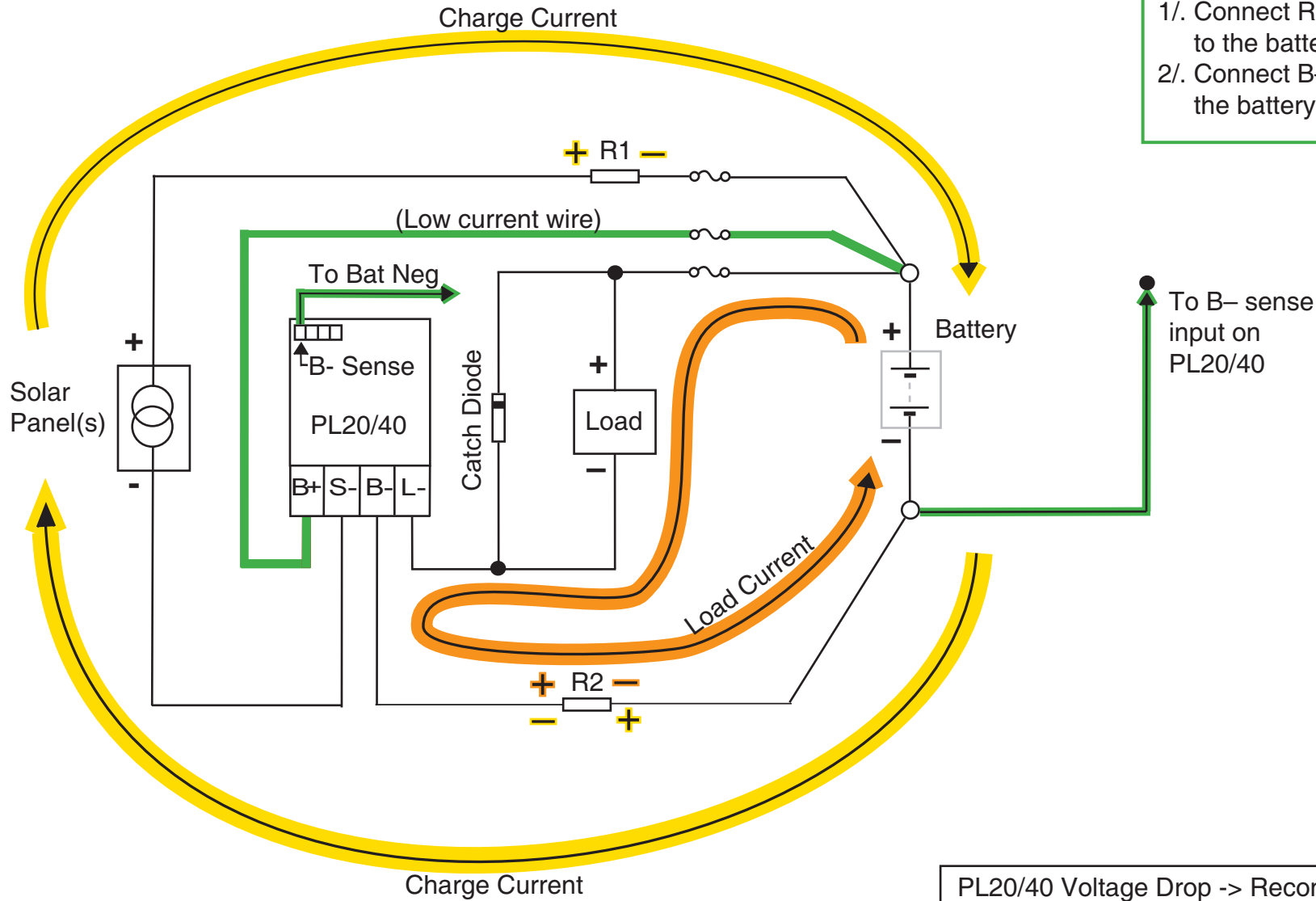


∞ = Fuse/Breaker

R1 & R2 = Effective cable resistance

- 1/. Connect Regulator B+ input directly to the battery positive terminal, and
- 2/. Connect B- sense input directly to the battery negative terminal.



PL20/40 Voltage Drop -> Recommended Installation Layout

This diagram is for reference only. Wiring and fuses etc. must be installed as specified by the relevant Australian Standards.