

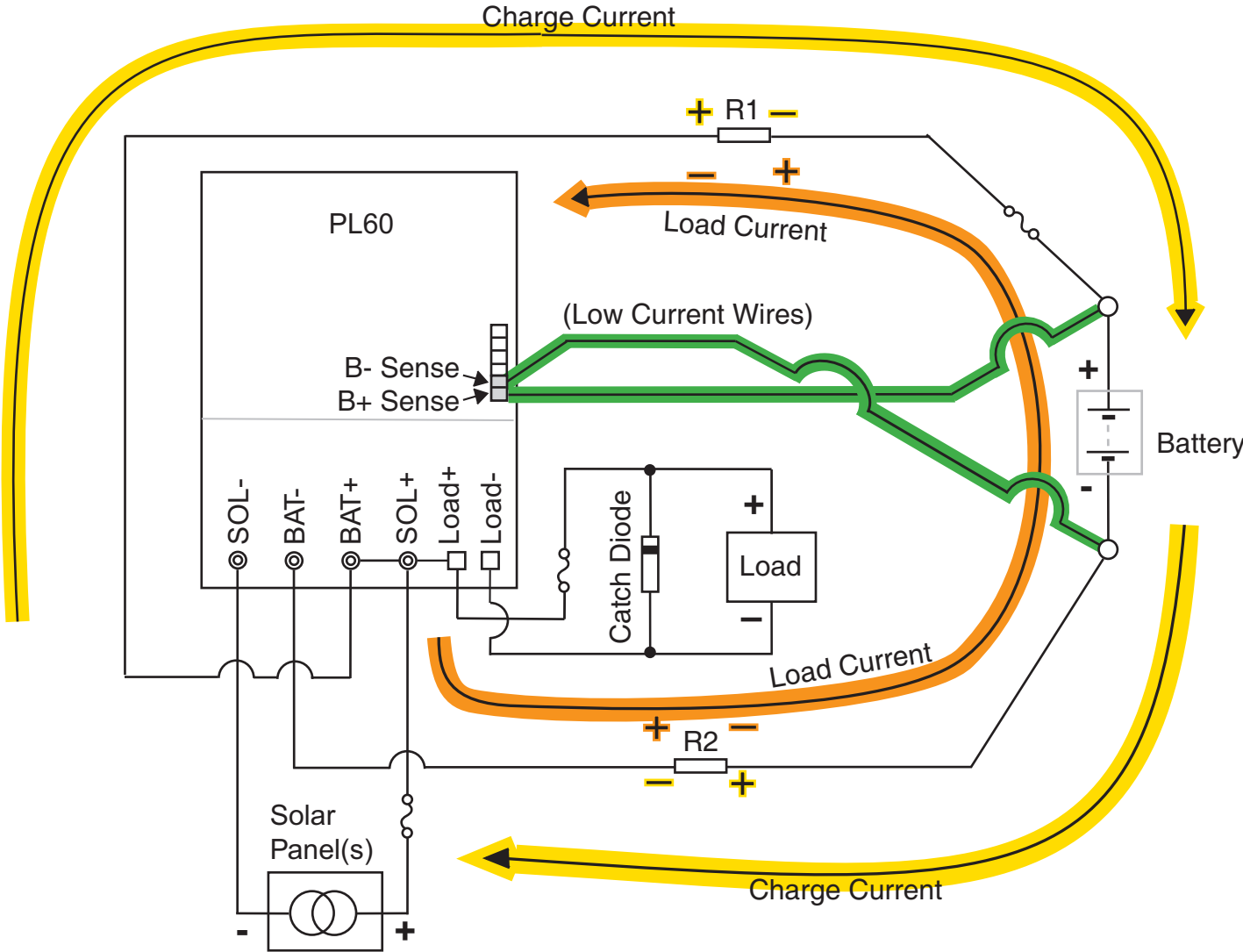
PL60

RECOMMENDED ✓

⊞ = Fuse/Breaker

R1 & R2 = Effective cable resistance

Connect B+ sense & B- sense wires to compensate for voltage drop in cables.



PL60 Voltage Drop -> Recommended Installation Layout

This diagram is for reference only. Wiring and fuses etc. must be installed as specified by the relevant Australian Standards.