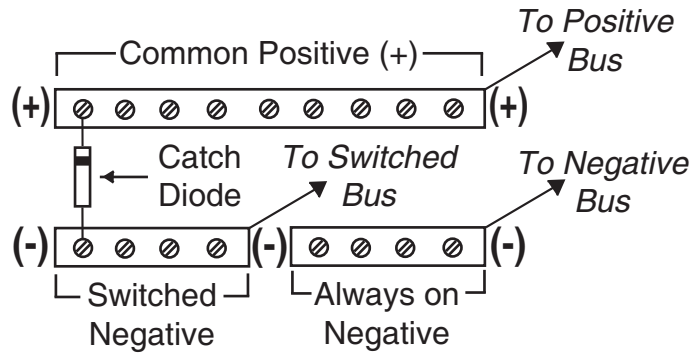


# Installation Ideas

## Possible Power Bus Layout



This diagram is for reference only. Wiring and fuses etc. must be installed as specified by the relevant Australian Standards.