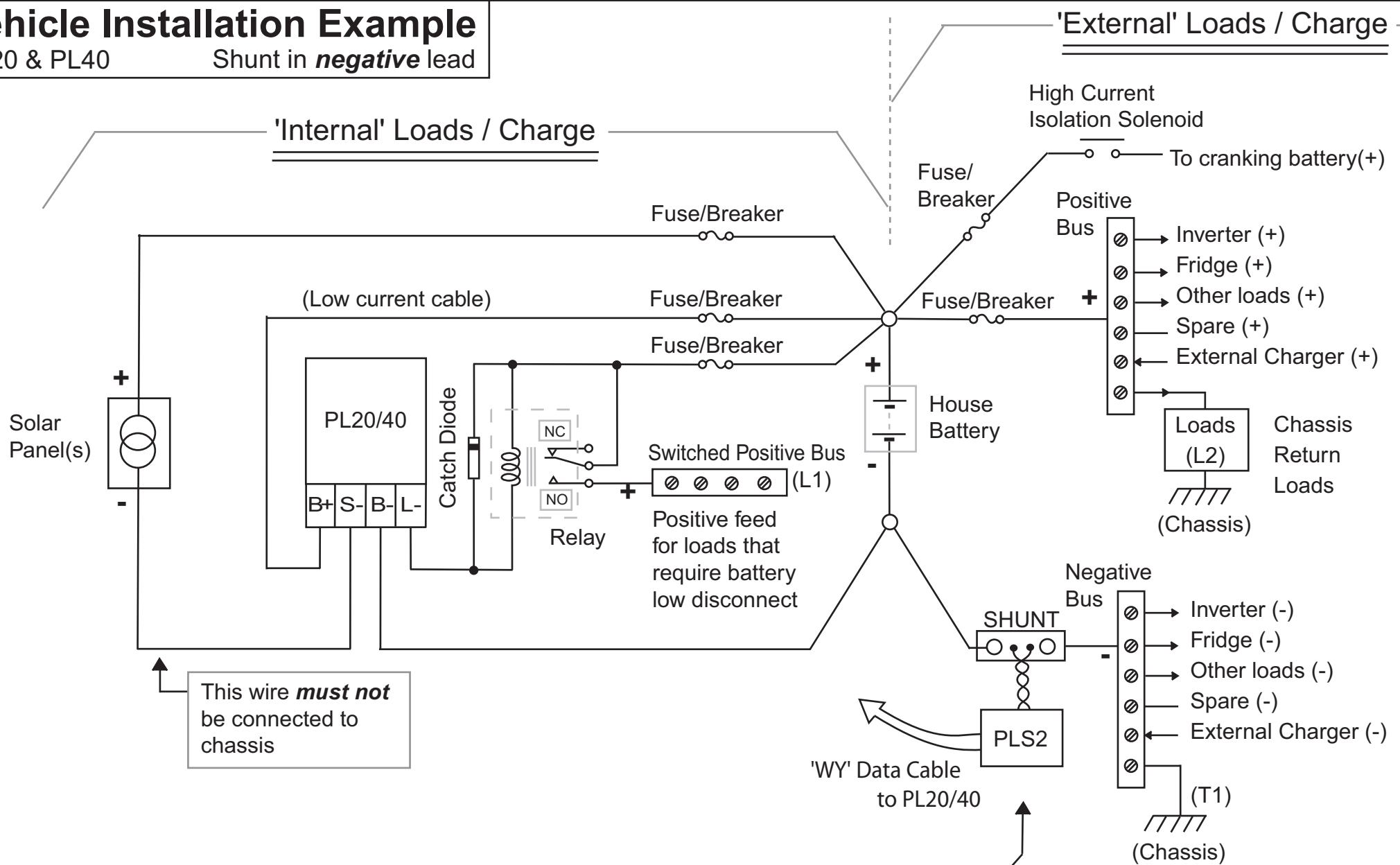


# Vehicle Installation Example

PL20 & PL40

Shunt in *negative* lead



This wire **must not** be connected to chassis

NOTE: Shunt reads 'balance' of load/charge currents

This diagram is for reference only. Wiring and fuses etc. must be installed as specified by the relevant Australian Standards.