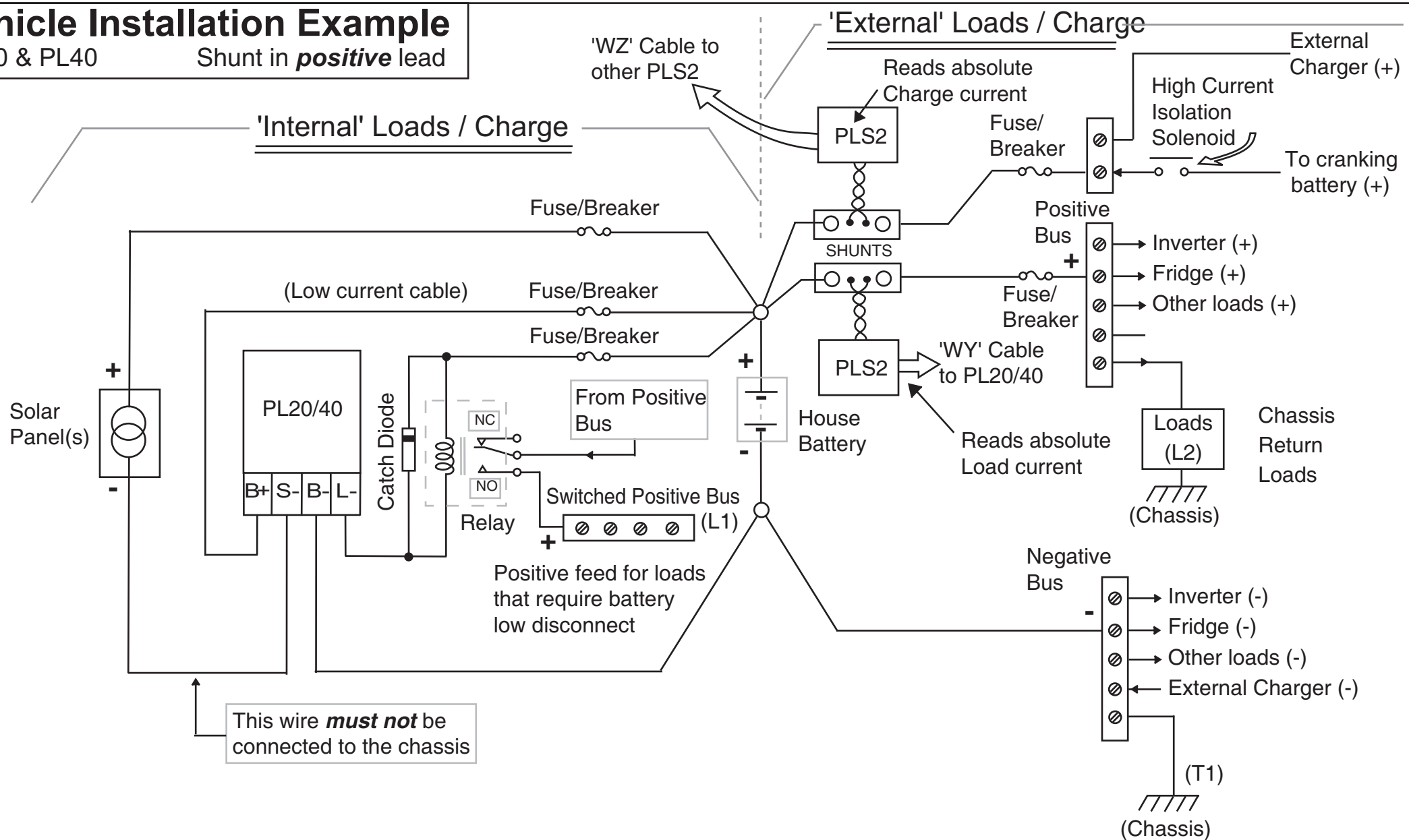


Vehicle Installation Example

PL20 & PL40

Shunt in **positive** lead



This wire **must not** be connected to the chassis

Note:
 This configuration gives absolute external charge current reading in CHRG -> CEXT screen and absolute external load current reading in LOAD -> LEXT screen

This diagram is for reference only. Wiring and fuses etc. must be installed as specified by the relevant Australian Standards.