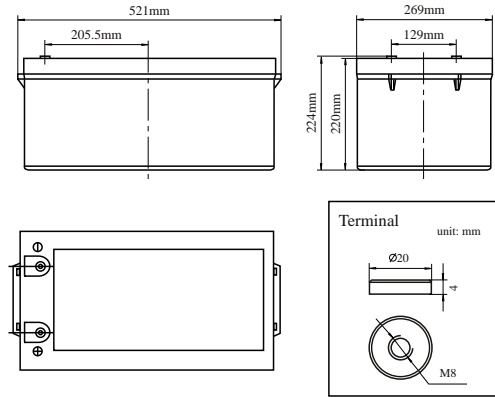


HGL260-12



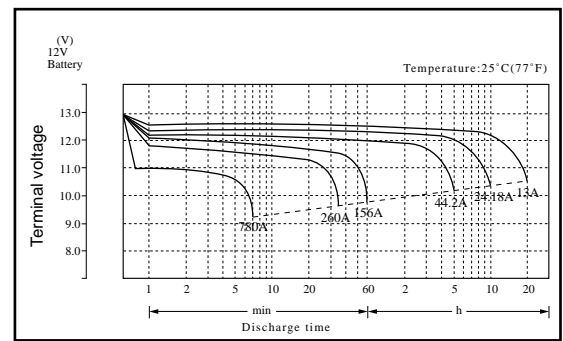
Specifications

Nominal Voltage		12V
Rated Capacity(20 hour rate)		260AH
Dimension	Total Height (with terminals)	224mm(8.82inches)
	Height	220mm(8.66inches)
	Length	521mm(20.51inches)
	Width	269mm(10.59inches)
Weight		Approx.89.0kg(196.21lbs)

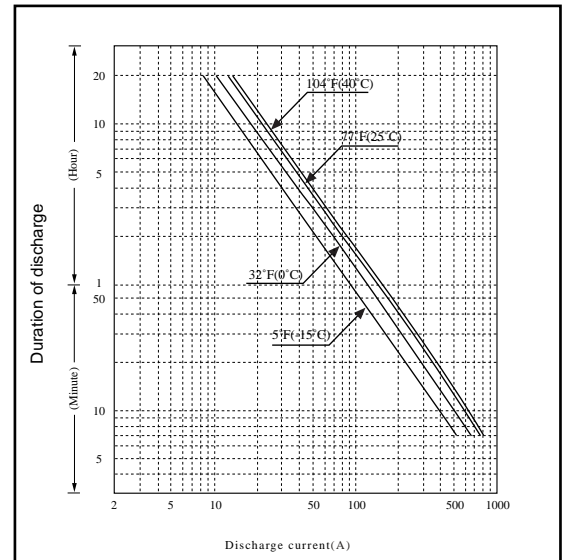
Characteristics

Capacity 77°F(25°C)	20 hour rate(13A)	260AH
	10 hour rate(24.18A)	241.8AH
	5 hour rate(44.2A)	221AH
	1 hour rate(156A)	156AH
	15 min rate(455A)	113.75AH
Internal Resistance	Full charged Battery 77°F(25°C)	1.8mΩ
Capacity affected by Temperature (20 hour rate)	104°F(40°C)	102%
	77°F(25°C)	100%
	32°F(0°C)	85%
	5°F(-15°C)	65%
Self-Discharge 77°F(25°C)	Capacity after 3 month storage	91%
	Capacity after 6 month storage	82%
	Capacity after 12 month storage	64%
Max. Discharge Current 77°F(25°C)		3900A(5S)
Terminal	Standard	F17
	Optional	
Charging (Constant Voltage)	Cycle	Initial Charging Current 52A Or Small 14.5~14.9V/77°F(25°C)
	Float	13.6~13.8V/77°F(25°C)

Discharge characteristics 77°F(25°C)



Duration of discharge vs. Discharge current



Constant Power Discharge Watts Per Cell @ 77°F(25°C)

Cut off voltage V/cell	5M	10M	15M	30M	45M	1H	2H	3H	5H	8H	10H	12H	24H
1.60V	1253	1019	846	559	425	341	199	139	93.3	61.1	51.8	44.7	23.0
1.65V	1175	970	815	550	420	338	198	138	92.4	61.1	51.8	44.7	23.0
1.67V	1164	957	800	545	417	333	198	136	92.0	61.1	51.8	44.7	23.0
1.70V	1092	916	778	540	415	331	196	136	91.5	61.0	51.8	44.7	23.0
1.75V	1026	861	746	530	404	330	195	135	91.0	60.6	51.2	44.7	23.0
1.80V	951	806	714	519	393	330	194	135	90.5	60.0	50.8	44.2	23.0

Note The above data are average values, and can be obtained within 3 charge/discharge cycles. These are not minimum values.