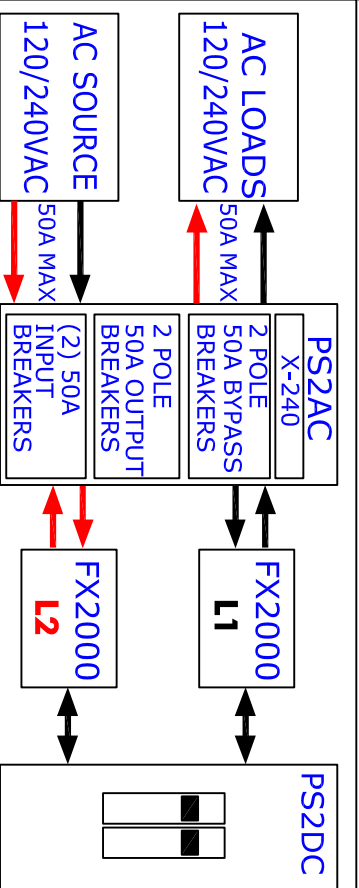


X-240
#1 #2&3 #4
L2 N L1

4-7.2KW @ 120/240VAC
(SERIES) 50A BYPASS

4-5KW @ 120/240VAC
(SERIES) 50A BYPASS

7-7.2KW @ 120/240VAC
(SERIES) 50A BYPASS



PS2AC
X-240
2 POLE 50A BYPASS BREAKERS
2 POLE 50A OUTPUT BREAKERS
(2) 50A INPUT BREAKERS

PS2DC
48V: TWO 100A BRKRS
TWO PAIR 2/0 CABLES
24V: TWO 175A BRKRS
TWO PAIR 2/0 CABLES
48V: TWO 175A BRKRS
TWO PAIR 4/0 CABLES
24V: TWO 250A BRKRS
TWO PAIR 2/0 CABLES

4-5KW @ 120/240VAC
(SERIES) 50A BYPASS
48V: TWO 100A BRKRS
TWO PAIR 2/0 CABLES
24V: TWO 175A BRKRS
TWO PAIR 2/0 CABLES

4-7.2KW @ 120/240VAC
(SERIES) 50A BYPASS
48V: TWO 175A BRKRS
TWO PAIR 4/0 CABLES
24V: TWO 250A BRKRS
TWO PAIR 2/0 CABLES

4KW = 2 FX2024
5KW = 2 FX2548
14KW = 4 VFX3524
14.4KW = 4 VFX3648

OutBack Power Systems
19009 62nd AVE NE
ARLINGTON, WA. 98223
360-435-6030
4-7.2KW-50A-BYPASS-SER

ALL BREAKERS SHOWN,
BYPASS MECHANISM,
X-240 AND TERMINAL
BLOCKS ARE HOUSED
IN THE OUTBACK PS2AC50D