

PSAC-100Q

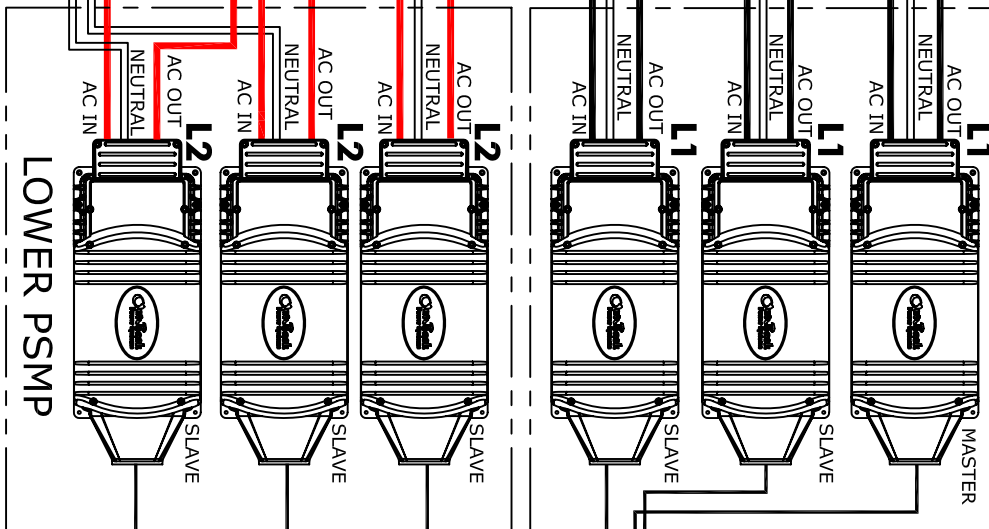
PSAC

FAN COOLING
REQUIRED

X-240
#1 #283 #4
L2 N L1

21.6kW @ 120/240VAC
(SERIES) 100A BYPASS
VFX3648 INVERTERS

UPPER PSMP



LOWER PSMP

**SIX STACK
OFF-GRID**

Power Systems
19009 62nd AVE NE
ARLINGTON, WA, 98223
360-435-6030

125 AMPS MAX
2AWG
ALL OTHER WIRE
#6AWG

AC LOADS
120/240VAC

AC SOURCE
120/240VAC
2AWG

BYPASS KIT AC-10B-1000
KIT INCLUDES 100A DUAL
OOU, FOUR 50A CBI BRKRS,
METAL PANELS, LABEL

100 AMP DUAL
BYPASS WITH FOUR
50 AMP OUTPUT
BREAKERS STANDARD
ON MODEL PSAC-1000
FULL SET OF BUSBARS 100

