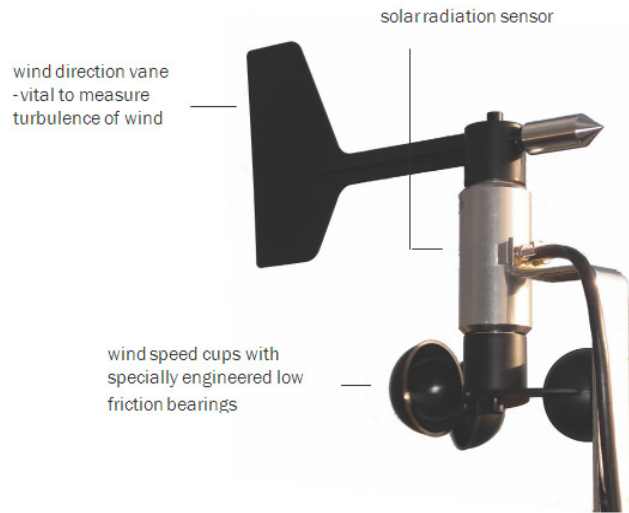


Product features



The **solar and wind sensor** is engineered to industrial standards, and is available exclusively as part of the Power Predictor kit.



The result of nearly two years R&D, the waterproof logger has a very low power consumption, meaning it uses a standard 9V battery for well over six months of continuous recording.

Wind and solar data is recorded to a removable memory card which links to a PC for upload to the website using a supplied USB connector.

Start generating green electricity - connect to your local installer

Once you've got your savings report, you can also ask for specialist installer companies in your area to send you quotes.

Our partners are a network of carefully chosen, trusted and experienced companies who have the capabilities and qualifications to install your chosen green energy system.



“How much can you save with renewable energy?”

Discover how much solar and wind energy you could generate

Compare payback times, average bill savings and effects on your carbon footprint

Generate green energy with your chosen technology

How does the **power predictor**[™] work?

1. Mount the Power Predictor in a suitable spot and let it collect and record your energy data.



2. After a minimum of a month, visit www.powerpredictor.com.au and simply upload data into your account. You can add more recordings as often as you like.



3. Read your Savings Report and discover how much energy you could generate, comparing the prices of solar panels and wind turbines. We'll put you in touch with your local installer.



What's in the box?

