

# 1500V Three-phase On-grid String Inverter

SPI125K-B-H/SPI160K-B-H



## Features

### High Efficient

- 3-level topology, maximum conversion efficiency up to 99.00%

### Safe and Reliable

- Outdoor IP65 dustproof and waterproof design, no derating below 3,000m
- Integrated AC&DC SPD, full aspect protect the unit
- Full industrial grade electronic component to ensure 25 years of full life cycle PV power plant operation

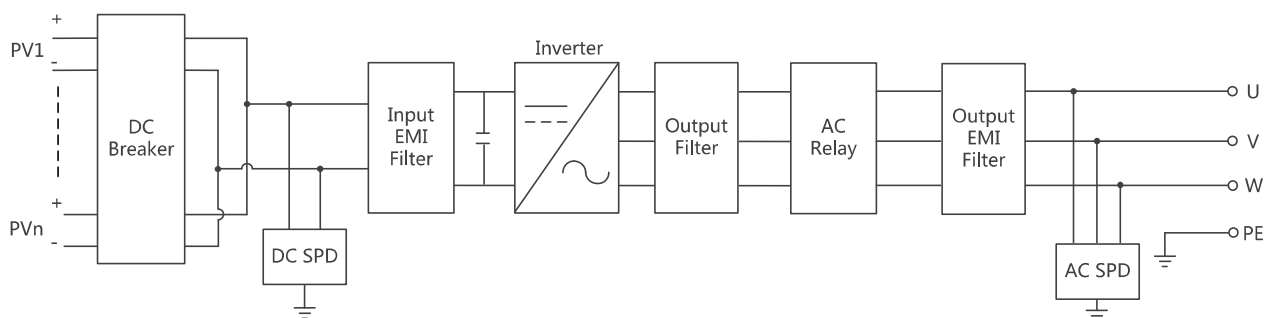
### Intelligent Management

- Intelligent fault recording function for faster analysis
- Support RS485, GPRS and WIFI communication modes
- Intelligent online upgrade function for easy management
- Support local maintenance by phone, easy to operate

### Grid Friendly

- On-grid current harmonics <3%, green and high grid adaptability

## Function Diagram



## Technical Specification

Items	SPI125K-B-H	SPI160K-B-H
<b>DC Input</b>		
Max. PV input voltage	1500Vdc	
Rated PV voltage	1050Vdc	
Max. PV input current	180A	
No. of MPPTs	1	
No. of PV strings per MPPT	12	16
MPPT voltage range	730Vdc-1300Vdc	860Vdc-1300Vdc
Starting voltage	600Vdc	
<b>AC Output</b>		
Rated AC output power	125kW	160kW
Max. output power	125kW	160kW
Rated AC output voltage	480Vac	600Vac
Rated output current	150.4A	153.9A
Max. output current	150.4A	153.9A
Rated grid frequency	50Hz/60Hz	
Grid frequency range	45~55Hz/55~65Hz	
Power factor	>0.99	
Adjustable power factor	0.8 (leading)~0.8 (lagging)	
THDi	<3% (rated power)	
<b>Efficiency</b>		
Max. efficiency	99.0%	
European efficiency	98.5%	
<b>Function</b>		
Anti-islanding	Yes	
DC reversed connection	Yes	
AC short circuit protection	Yes	
Temperature protection	Yes	
Surge protection	Yes	
PV fault detect	Yes	
DC switch	Optional	
<b>General</b>		
Dimensions (W×H×D)	700×870×310mm	
Weight	85kg	
IP grade	IP65	
Noise level	<65dB	
Self-consumption at night	<1W	
Cooling type	Intelligent wind cooling	
Altitude	4,000m (>3,000m derating)	
Operating temperature	-35~60°C (45°C derating)	
Relative humidity	0-95% (non-condensation)	
Display	LED+WIFI, APP (local O&M)	
Communication	RS485 (standard), Ethernet / WIFI/GPRS (optional)	
DC terminal	MC4 terminal (standard)/OT terminal (optional)	
AC terminal	OT terminal	
Installation method	Wall-mounted	
Standard	IEC62109-1, IEC62109-2, NB/T 32004-2018	

\*Specifications are subject to change without prior notice.