

Three-phase On-grid String Inverter

SPI12K-BL/SPI15K-B/SPI17K-B/SPI20K-B



Features

Efficient and Flexible

- 2 independent MPPT, more generation
- Advanced control algorithms and high adaptation ability to the grid, improving the stability of power generation system

Safe and Reliable

- IP65 for outdoor application
- Integrated AC/DC full lightning protection
- All industrial grade electronic device, ensure 25 years full life circle running

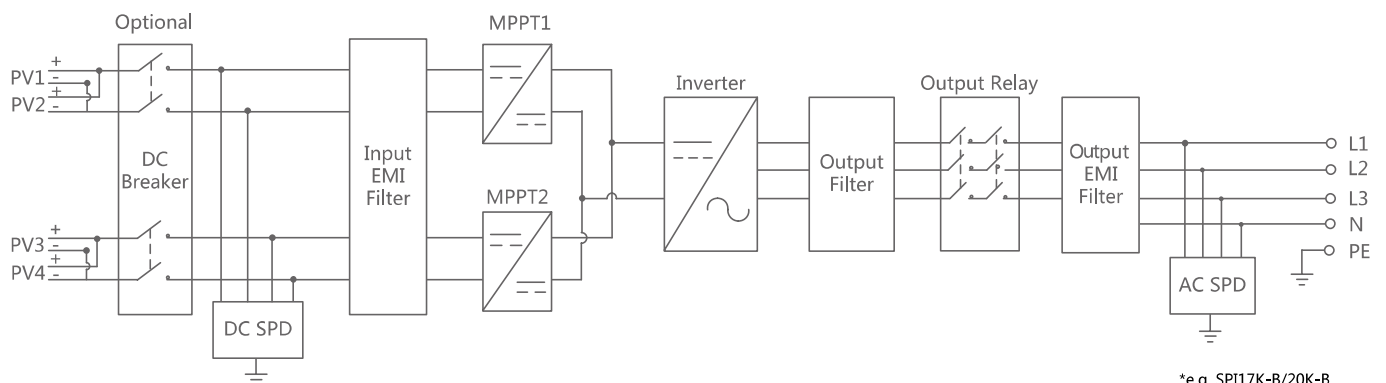
Intelligent Management

- I&V Intelligent diagnosis, accurate identification and positioning of abnormal PV panels
- Support RS485, Wifi, GPRS communication
- Remote online upgrade, convenient and efficient

Grid Friendly

- Grid-connected current harmonics <3%, green adapts to grid
- Ultra wide grid voltage range, with LVRT function

Function Diagram



*e.g. SPI17K-B/20K-B

Technical Specification

Items	SPI12K-BL	SPI15K-B	SPI17K-B	SPI20K-B
DC Input				
Max. PV input voltage	1000Vdc			
Rated PV voltage	600Vdc			
Max. PV input current	44A(2×22A)	44A(2×22A)	44A(2×22A)	44A(2×22A)
No. of MPPTs	2	2	2	2
No. of PV strings per MPPT	2/2	2/2	2/2	2/2
MPPT voltage range	200Vdc~950Vdc			
Starting voltage	200Vdc			
AC Output				
Rated AC output power	12kW	15kW	17kW	20kW
Max. output power	13.2kW	16.5kW	18.7kW	22kW
Rated AC output voltage	380/400/415Vac			
Rated output current	17.4A	21.7A	24.6A	29.0A
Max. output current	19.1A	23.9A	27.1A	31.9A
Rated grid frequency	50Hz/60Hz			
Grid frequency range	45~55Hz/55~65Hz			
Power factor	>0.99 (full load)			
Adjustable power factor	0.8 (leading)~0.8 (lagging)			
THDi	<3% (rated power)			
Efficiency				
Max. efficiency	98.50%		98.60%	
European efficiency	98.00%		98.30%	
Protection				
Anti-islanding	Yes			
DC reversed connection	Yes			
AC short circuit protection	Yes			
Temperature protection	Yes			
Surge protection	Yes			
PV fault detect	Yes			
DC switch	Optional			
General				
Dimensions (W×H×D)	480×420×180mm			
Weight	25kg			
IP grade	IP65			
Noise level	<50dB			
Self-consumption at night	<1W			
Cooling type	Intelligent forced air cooling			
Altitude	4000m (>3000m derating)			
Operating temperature	-25°C~+60°C(>45°C derating)			
Relative humidity	0~95% (Non-condensation)			
Display	LCD+LED			
Communication	RS485/WiFi/GPRS/DRM (Australia)			
DC terminal	MC4 Terminal			
AC terminal	OT Terminal			
Installation method	Wall-mounted			
Standard	EN62109-1, EN62109-2 NB/T32004, AS3100, AS4777, EN 61000-6-2, EN 61000-6-3, IEC 62116 IEC 61727, IEC 60068-2-1, IEC 60068-2-2, IEC 60068-2-14, IEC 60068-2-30			

*Specifications are subject to change without prior notice.