

1500V Three-phase On-grid String Inverter

SPI220K-B-H



Features

Product Feature

- 3-level topology, maximum conversion efficiency up to 99%
- 12 MPPT design, strong complex installation environment Adaptability
- Support double-sided components, two sinks and one input

Safe and Reliable

- Outdoor IP65 design, no derating below 3000m altitude
- All industrial grade electronic device, ensure 25 years full life circle running.
- Integrated AC&DC SPD, full aspect protect the unit

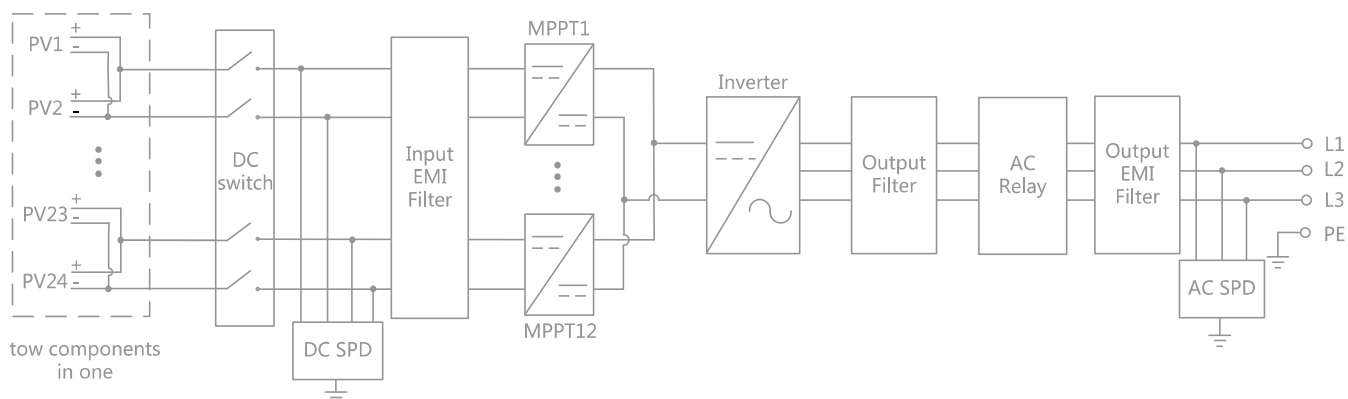
Intelligent Management

- Intelligent fault wave recording, quick failure analysis
- I&V Intelligent diagnosis, accurate identification and positioning of abnormal PV panels
- Intelligent online upgrade function, easy upgrade and maintain
- Support RS485, PLC and other communication

Grid Friendly

- Grid-connected current harmonics <3%, green adapts to grid
- Ultra wide grid voltage range, with LVRT function

Function Diagram



Technical Specifications

Items	SPI220K-B-H
DC Input	
Max. PV input voltage	1500Vdc
Rated PV voltage	550Vdc
Max. PV input current	312A(12*26A)
No. of MPPTs	12
No.of PV strings per MPPT	2
MPPT voltage range	500Vdc~1500Vdc
Starting voltage	99.90%
AC Output	
Rated AC output power	220kW
Max. output power	242kVA
Rated AC output voltage	800Vac
Rated output current	158.8A
Max. output current	174.7A
Rated grid frequency	50Hz/60Hz
Grid frequency range	45(55Hz/55~65H)
Power factor	>0.99
Adjustable power factor	0.8 (leading) ~ 0.8 (lagging)
THDi	<3% (rated power)
Efficiency	
Max. efficiency	99%
European efficiency	98.5%
Protection	
Anti-islanding	Yes
DCreversed connection	Yes
AC short circuitprotection	Yes
Temperature protection	Yes
Surge protection	Yes
PV fault detect	Yes
DC switch	Yes
General	
Dimensions (W×H×D)	1063×680×358mm
Weight	98kg
IP grade	IP65
Noise level	65dB
Self-consumption at night	<1W
Cooling type	Intelligent forced air cooling
Altitude	4000m(>3000m derating)
Operating temperature	-35°C-60°C(>45°C derating)
Relative humidity	0-95% (Non-condensation)
Display	LED+WIFI(APP)
Communication	RS485(standard)/Ethernet/WIFI/GPRS(Optional)
DC terminal	MC4 Terminal
AC terminal	OT Terminal
Installation method	Wall-mounted
Standard	IEC62109-1, IEC62109-2, NB/T 32004-2018

* The specifications are subject to change without notice.