

## Single-phase On-grid String Inverter

SPI3000-B2/SPI3600-B2/SPI4000-B2/SPI4600-B2/SPI5000-B2/SPI6000-B2



### Features

#### High-efficiency

- High-efficiency inverter topology ensures annual power generation
- Advanced control algorithms and high adaptation ability to the grid, improving the stability of power generation system

#### Safe and Reliable

- IP65 for outdoor application
- Integrated AC/DC full lightning protection
- Aluminum alloy die-casting integrated chassis, ensure 25 years full life circle running

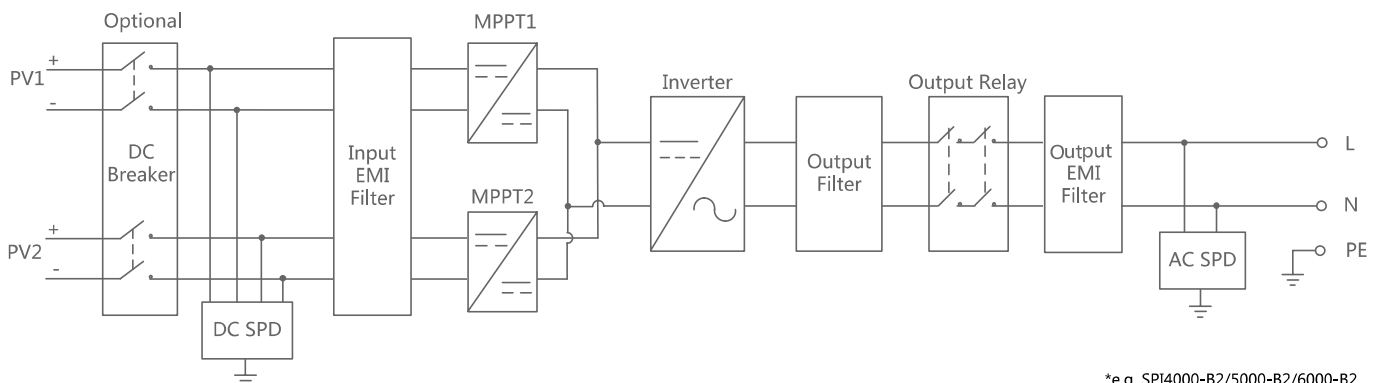
#### Intelligent Management

- Intelligent cloud platform monitoring, realizing one- key APP real-time monitoring
- Support RS485, GPRS, WIFI and other communication methods

#### Green Saving

- Small size, easy to install and use
- Natural cooling, ensuring low environmental noise
- Super-wide operating temperature range, adapt to extremely cold, high temperature areas

### Function Diagram



\*e.g. SPI4000-B2/5000-B2/6000-B2

## Technical Specifications

Items	SPI3000-B2	SPI3600-B2	SPI4000-B2	SPI4600-B2	SPI5000-B2	SPI6000-B2
<b>DC Input</b>						
Max. PV input voltage	600Vdc					
Rated PV voltage	360Vdc					
Max. PV input current	22A (2×11A)					
No. of MPPTs	2					
No.of PV strings per MPPT	1/1					
MPPT voltage range	100Vdc~500Vdc					
Starting voltage	120Vdc					
<b>AC Output</b>						
Rated AC output power	3.0kW	3.6kW	4.0kW	4.6kW	5.0kW	6.0kW
Max. output power	3.3kW	3.96kW	4.4kW	5.06kW	5.5kW	6.0kW
Rated AC output voltage	220V/230Vac					
Rated output current	13.0A	15.7A	17.4A	20.0A	21.7A	26.0A
Max. output current	14.3A	17.2 A	19.1A	22.0 A	23.9 A	26.0 A
Rated grid frequency	50/60Hz					
Grid frequency range	45~55Hz/55~65Hz					
Power factor	>0.99 full load					
PF adjustable range	0.8 (leading)~0.8 (lagging)					
THDI	<3% (rated power)					
<b>Efficiency</b>						
Max. efficiency	98.1%	98.3%				
European efficiency	97.7%	97.9%				
<b>Protection</b>						
Anti-islanding	Yes					
DC reversed connection	Yes					
AC short circuit protection	Yes					
Temperature protection	Yes					
Surge protection	Yes					
PV fault detect	Yes					
DC Switch	Optional					
<b>General</b>						
Dimensions (W×H×D)	360×420×125 mm					
Weight	12.6kg					
IP grade	IP65					
Noise level	≤25 dB					
Night power consumption	<1W					
Cooling type	Natural cooling					
Altitude	4000m (>2000m derating)					
Operating temperature	-40°C~60°C (>45°C derating)					
Relative humidity	0~95%					
Display	LCD display + LED indicator					
Communication	RS485/WiFi (optional)/GPRS (optional)/DRM (Australia)					
DC terminal	MC4 Terminal					
AC terminal	Plug and play connector					
Installation method	Wall-mounted					
Standard	EN62109-1, EN62109-2 NB/T32004, AS3100, AS4777, EN 61000-6-2, EN 61000-6-3 , IEC 62116:2014 ,IEC 61727:2004 ,IEC 60068-2-1:2007 ,IEC 60068-2-2:2007 ,IEC 60068-2-14:2009 ,IEC 60068-2-30:2005					

\*Specifications are subject to change without prior notice.