

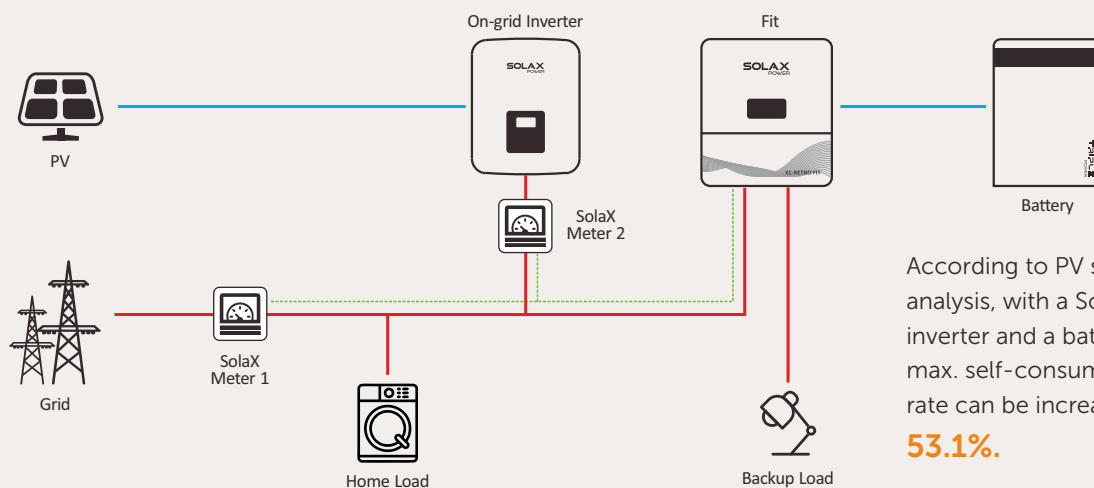
Here 's a chance to pay €0 for electricity bill .

# Why Not ?

Just add the SolaX Power **X1-Fit** to your existing or new build solar system, you're one more step closer to energy independence.



X1-Fit 3.7kW  
X1-Fit 4.6kW  
X1-Fit 5.0kW



According to PV system analysis, with a SolaX Fit inverter and a battery, the max. self-consumption rate can be increased by **53.1%**.

**Note:** X1-Fit is compatible with any brand's on-grid inverter.



[www.solaxpower.com](http://www.solaxpower.com)  
[info@solaxpower.com](mailto:info@solaxpower.com)  
[service@solaxpower.com](mailto:service@solaxpower.com)

Global: +86 571-56260008  
AU: +61 1300 476529  
DE: +49 6142 4091664

UK: +44 2476 586998  
NL: +31 (0) 852 737932



# X1-RETRO FIT (SINGLE PHASE)

Version: E,C,I  
 E:with EPS function  
 C:without EPS function  
 I:internal EPS function device

## X1-FIT-3.7kW

## X1-FIT-4.6kW

## X1-FIT-5.0kW

OUTPUT (AC)	X1-FIT-3.7kW			X1-FIT-4.6kW			X1-FIT-5.0kW		
	C Version	E Version	I Version	C Version	E Version	I Version	C Version	E Version	I Version
Nominal AC power [VA]		3680			4600			4999	
Max. apparent AC power [VA]		3680			4600			4999	
Nominal grid voltage(AC voltage range) [V]	220/230/240 (180 - 270 )			220/230/240 (180 - 270 )			220/230/240 (180 - 270 )		
Nominal grid frequency/range [Hz]	50/60			50/60			50/60		
Nominal AC current [A]	16			20			21.7		
Max. AC current [A]	16			21			21.7		
Displacement power factor	0.8 leading to 0.8 lagging			0.8 leading to 0.8 lagging			0.8 leading to 0.8 lagging		
THDi, rated power [%]	<2			<2			<2		
<b>INPUT AC</b>									
Max. apparent AC power[VA]	3680		7680	4600		9600	4999		9999
Max. AC current[A]	16		37.7	21		47	21.7		47.7
Nominal grid voltage(AC voltage range)[V]	220/230/240 (180 - 270)			220/230/240 (180 - 270)			220/230/240 (180 - 270)		
Nominal grid Frequency/range[Hz]	50/60			50/60			50/60		
<b>BATTERY</b>									
Battery voltage range [V]				85-400					
Recommended battery voltage[V]				300					
Max.continuous charge/discharge current [A]				20					
Communication interfaces				CAN/ RS485					
Reverse connect protection				YES					
<b>EPS OUTPUT(WITH BATTERY)</b>									
EPS MAX. continuous apparent power [VA]	-		5000	-		6000	-		6000
EPS rated voltage[V],Frequency [Hz]	-		230, 50/60	-		230, 50/60	-		230, 50/60
EPS MAX.continuous current [A]	-		21.7	-		26	-		26
EPS peak apparent power [VA]	-		6000	-		8000	-		8000
Changeover time [ms]	-	<500	<20	-	<500	<20	-	<500	<20
THDv, linear Load [%]	-		<2	-		<2	-		<2
Changeover device	-	External	Internal	-	External	Internal	-	External	Internal
<b>EFFICIENCY</b>									
Max. Battery charge efficiency (GRID to BAT)				95.60					
Max. Battery discharge efficiency (BAT to AC)				97.00					
<b>POWER CONSUMPTION</b>									
Standby consumption (Night) [W]				<15 for hot standby, <3 for cold standby					
<b>SAFETY&amp; PROTECTION</b>									
Over/under voltage protection				YES					
Monitoring ground fault protection				YES					
Grid protection				YES					
<b>STANDARD</b>									
Safety				IEC61407					
EMC				EN 61000-6-1 / EN 61000-6-2 / EN 61000-6-3					
Certification				VDE 0126-1-1 A1:2012 / VDE-AR-N 4105 /G99 / G98 / AS4777 / EN50549/ CEI 0-21 / VDE 2510 / and so on					
<b>ENVIRONMENT LIMIT</b>									
Degree of protection(according to IEC60529)				IP65					
Operating temperature range [°C]				-20 ~ +60 (derating at +45)					
Max. operation altitude [m]				<2000					
Humidity [%]				0~100 (condensing)					
Storage temperature [°C]				-20 ~ +60					
Typical noise emission [dB]				40					
<b>DIMENSION AND WEIGHT</b>									
Dimensions(WxHxD) [mm]				476*464*180					
Weight [kg]				23					
Cooling concept				Natural					
Topology				Non-isolated					
Communication interfaces				Ethernet/Meter/Pocket WiFi(optional)/Pocket LAN(optional)/Pocket GPRS(optional)/DRM/USB/ISO alarm/CT					
LCD display				Backlight 20*4 character					
Standard warranty [year]				5-10					